

JET-STEEL-ALUMINIUM INTEGRATED UPSTAND WITH TRP-SLANTED SIDES

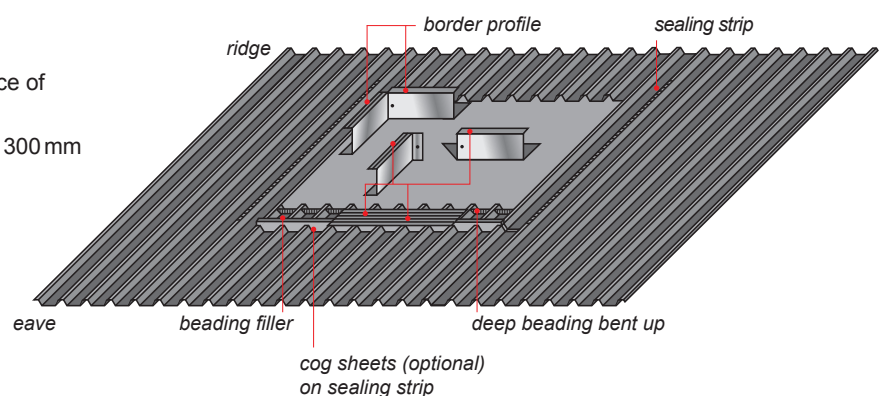
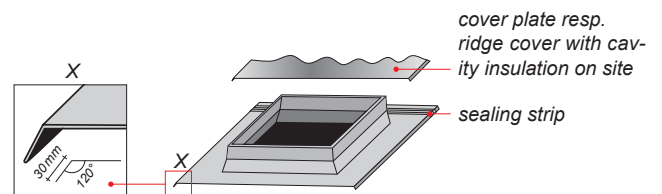


For the assembling on all profiled roof surfaces (double shelled and thermo/ISO roofs), corrugated profile roofs and standing seam systems



JET-steel-aluminium integrated upstand with TRP-slanted sides

- inner shell made of galvanized steel sheet, coated in RAL 9002 (white) or in another RAL-colour of your choice
- outer shell made of watertight-welded aluminium sheet, surface in blank aluminium or coated in a RAL-colour of your choice
- thermal shell separation due to separation layers in upper screw flange and in foot flange
- non-flammable heat insulation in the reveal:
 - type AK: 60 mm, U-value 0,48 W/m²K
 - type RAK: 30 mm, U-value 0,90 W/m²K
- variable flange width suitable to distance of the beadings in the width
- upper and lower flange width standard 300 mm each or according to your request



NOTE:

The JET-scope of delivery consists only of the JET-steel-aluminium integrated upstand. The IFBS and manufacturer installation guidelines must be observed.

*Application sample:
JET-steel-aluminium integrated upstand with slanted sides in RAK geometry, assembling on profiled upper shell*

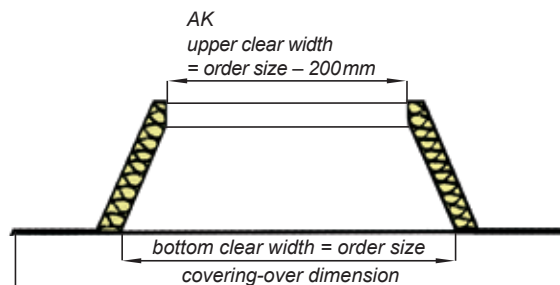
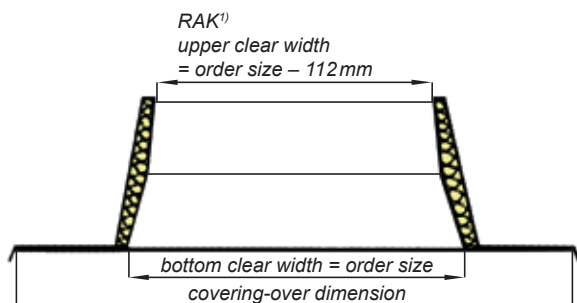


- | | | |
|---------------------|--------------------------|--|
| 1.1.1 JET-TOP 90 | 1.1.2 JET-TOP 90 PLUS | 1.1.3 JET-TOP 90 SOUND REDUCTION |
|---------------------|--------------------------|--|

| order sizes | AK 30 cm | RAK 30 cm ¹⁾ |
|-------------|----------------------------|----------------------------|
| | with 60 mm heat insulation | with 30 mm heat insulation |
| cm x cm | | |
| 90 x 90 | • | • |
| 90 x 120 | • | • |
| 100 x 100 | • | • |
| 100 x 150 | • | • |
| 100 x 200 | • | • |
| 100 x 240 | • | • |
| 100 x 250 | • | • |
| 100 x 300 | • | - |
| 120 x 120 | • | • |
| 120 x 150 | • | • |
| 120 x 180 | • | • |
| 120 x 210 | • | • |
| 120 x 240 | • | • |
| 120 x 250 | • | • |
| 120 x 270 | • | - |
| 125 x 250 | • | • |
| 150 x 150 | • | • |
| 150 x 180 | • | • |
| 150 x 210 | • | • |
| 150 x 240 | • | • |
| 150 x 250 | • | • |
| 150 x 270 | • | - |
| 180 x 180 | • | • |
| 180 x 240 | • | • |
| 180 x 250 | • | • |
| 180 x 270 | • | - |
| 180 x 300 | • | - |
| 200 x 200 | • | • |
| 200 x 300 | • | - |
| 250 x 250 | • | - |

1) special design for highly effective smoke exhaust (SHEV)
 • = available
 - = not available

min. covering-over dimension width: order size + 310 for AK
 width: order size + 250 for RAK
 max. covering-over dimension width: order size + dimension till the exterior edge of the next high beading + 10 mm tolerance



NOTE:
 In case of order information regarding the covering-over dimension and the position of assembling are needed.

PLEASE CONTACT:
 JET Tageslicht & RWA GmbH · Weidehorst 28 · D-32609 Hüllhorst
 Tel. +49 (0) 57 44 / 503-0 · Fax +49 (0) 57 44 / 503-40

- ISO 9001
- BS OHSAS 18001
- installer SHEVS
- approved products

LIGHT & AIR.

WITH SAFETY.