

# JET-LIGHT DOME ACCESSORIES

## INSECT SCREEN



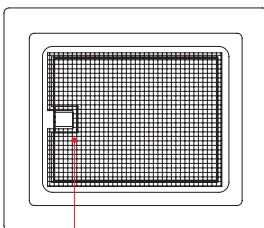
### JET-light dome insect screen systems



Insect screen for standard use areas

#### Horizontal insect screen system for standard light domes which can be opened

- Frame is mounted horizontally on the upper side of the upstand
- Recess for motor spindle protected with brush sealing
- Simple release and fastening using Velcro

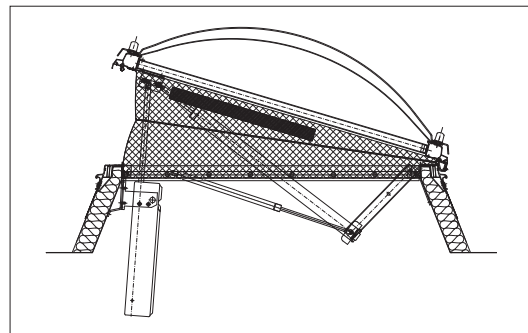


Brush recess for motor spindle

Insect screen for SHEV system and special hygiene requirements

#### Vertical insect screen system for SHEV system and higher hygiene requirements

- Stand-alone forced separation from the upstand with SHEV activation
- Usable for JET-SHEV system in accordance with EN 12101-2
- Available for ventilation strokes of 300 or 500 mm for combination units
- No accumulation of and later contamination with fragments of insects
- Patent pending



1.1.1 JET-TOP 90	1.1.2 JET-TOP 90 PLUS	3.4.2 JET-SKYSIGHT	3.5.2 JET-TOP 90 COMFORT/COMFORT S	3.6.2 JET-ISO-Pyramid 45° GLASS/GRILLODUR®	3.6.3 JET-ISO Hip 45° GLASS/GRILLODUR®	6.1.1 JET-SHEV SYSTEMS
---------------------	--------------------------	-----------------------	---------------------------------------	---	---	---------------------------

## JET-light dome insect screen systems

- Mesh material made from polyvinylidene chloride (PVDC), resistant to weather and many fruit acids
- Mesh width: < 1 mm

### Horizontal insect screen system

#### Product advantages:

- JET insect screen system offers easy protection against insects and coarse contamination with daily ventilation
- For JET-light domes, JET-aluminium dark flaps and JET-VARIO light flaps which can be opened
- Also available upon request for retrofitting onto third-party products which can be opened

#### Area of application:

- In office buildings, administration buildings, communal buildings and residential buildings

### Vertical insect screen system

#### Product advantages:

- No effect on the aerodynamic ventilation area ( $A_a$  value)
- JET vertical insect screen system offers effective protection against insects and coarse contamination with daily ventilation
- Also available for retrofitting or as a replacement set
- Used in operations in the catering trade and food industry in particular, e.g. in bakeries, operations with fruit processing or drink filling

#### Area of application:

- For JET-SHEV systems which can be opened

#### Light dome order sizes

50 x 100	120 x 120	180 x 180
50 x 150	120 x 150	180 x 240
60 x 60	120 x 180	180 x 250
60 x 90	120 x 240	200 x 200
70 x 135	125 x 250	200 x 300
80 x 80	135 x 230	
90 x 90	150 x 150	
90 x 120	150 x 180	
100 x 100	150 x 210	
100 x 150	150 x 240	
100 x 200	150 x 250	
100 x 240		
100 x 250		

#### SHEV system light dome order sizes

100 x 100	150 x 150
100 x 150	150 x 180
100 x 200	150 x 180
100 x 240	150 x 210
100 x 250	150 x 240
120 x 120	150 x 250
120 x 150	180 x 180
120 x 180	180 x 240
120 x 240	180 x 250
120 x 250	200 x 200
125 x 125	200 x 300
125 x 250	

#### PLEASE CONTACT:

JET Tageslicht & RWA GmbH · Weidehorst 28 · D-32609 Hüllhorst  
Tel. +49 (0) 57 44 / 503-0 · Fax +49 (0) 57 44 / 503-40



•ISO 9001 •BS OHSAS 18001  
•installer SHEVS  
•approved products

**LIGHT & AIR.**  
**WITH SAFETY.**