

JET-LIGHT DOMES

TYPE AIRLUX



For rain-proof fan ventilation



JET-AIRLUX I Tangential-rolling ventilator

Technical data:

- Displacement volume (free-blowing): 230 m³/h
- Motor speed: 1.700 min⁻¹
- Protection class: IP 00
- Acoustic pressure: 50 dB/A
- Voltage: 230 V/50 Hz
- Output: 41 W
- Power consumption: 0,3A

Exhaust device:

- For small up to medium displacement volume
- Designed for the use in dry rooms
(especially for industrial applications)

Installation takes place in the factory in the JET-GRP upstands from up to 30 cm height. If requested it is also possible to install more rolling ventilators. A combination with heat insulated flange design is possible for 50 cm high JET-GRP upstands. Operation takes place with an under plaster time control switch with locking device (accessories).

NOTE:

JET-AIRLUX I and II are available with all JET-light dome variants.

JET-AIRLUX II Axial ventilator

Technical data:

- Displacement volume (free-blowing): 670 m³/h
- Motor speed: 1.250 min⁻¹
- Protection class: IP 44
- Acoustic pressure: 54 dB/A
- Voltage: 230 V/50 Hz
- Output: 45 W
- Power consumption: 0,3A
- High-volume device for ventilation and as well for exhaust,
because the ventilator is reversible (rotation direction)

The complete installation is made in the factory, including electric operating and automatic closing louvre in JET-GRP upstands with 50 cm height. If requested it is also possible to install more axial ventilators in an upstand. A combination with heat insulated flange design is not possible. The operation can take place with a stepless adjustable, electronic upon plaster speed regulator with reverser (accessories), that enables reversal of direction.

NOTE:

For the assembling it is important that an adequate distance to the water-bearing level is realized on site.



1.1.1
JET-TOP 90

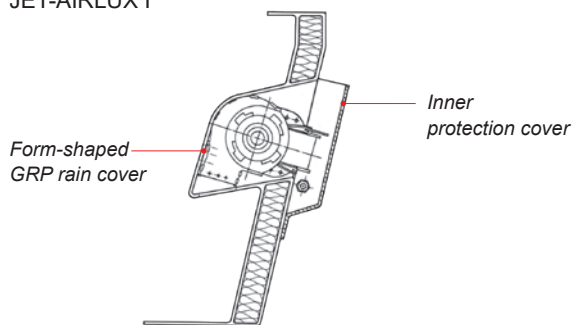
1.1.2
JET-TOP 90 PLUS

1.1.3
JET-TOP 90
SOUND REDUCTION

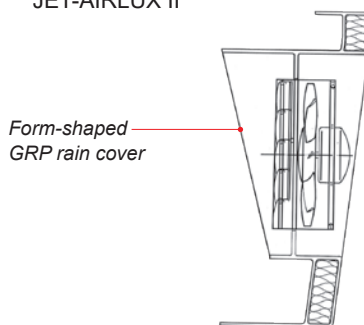
1.4.1
JET-light dome
safety concept

1.4.5
JET-LK-DDS

JET-AIRLUX I



JET-AIRLUX II



Combinable variants

JET-AIRLUX I and JET-AIRLUX II

are combinable with the following rectangular light dome variants in modular system:

- ↪ JET-TOP 90 light dome
- ↪ JET-TOP 90 pyramid light dome
- ↪ JET-SUPER-TOP light dome
- ↪ JET-TOP 90 roof exit
- ↪ JET-ISO glass pyramid 45°

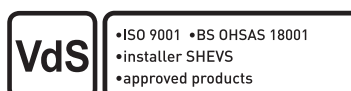
PRODUCT RANGE FOR LIGHT DOMES TYPE AIRLUX

Order sizes	JET-AIRLUX I	JET-AIRLUX II
Bottom clear width upstand	JET-GRP upstand, 30/50 cm high, heat insulated	JET-GRP upstand, 50 cm high, heat insulated
cm x cm	Tangential-rolling ventilator	Axial ventilator
60 x 60	•	-
60 x 90	•	•
80 x 80	•	•
90 x 90	•	•
90 x 120	•	•
100 x 100	•	•
100 x 150	•	•
120 x 120	•	•
120 x 150	•	•
150 x 150	•	•

• = Available
- = Not available

NOTE: Other dimensions available upon request

PLEASE CONTACT:
JET Tageslicht & RWA GmbH · Weidehorst 28 · D-32609 Hüllhorst
Tel. +49 (0) 57 44 / 503-0 · Fax +49 (0) 57 44 / 503-40



**LIGHT & AIR.
WITH SAFETY.**